



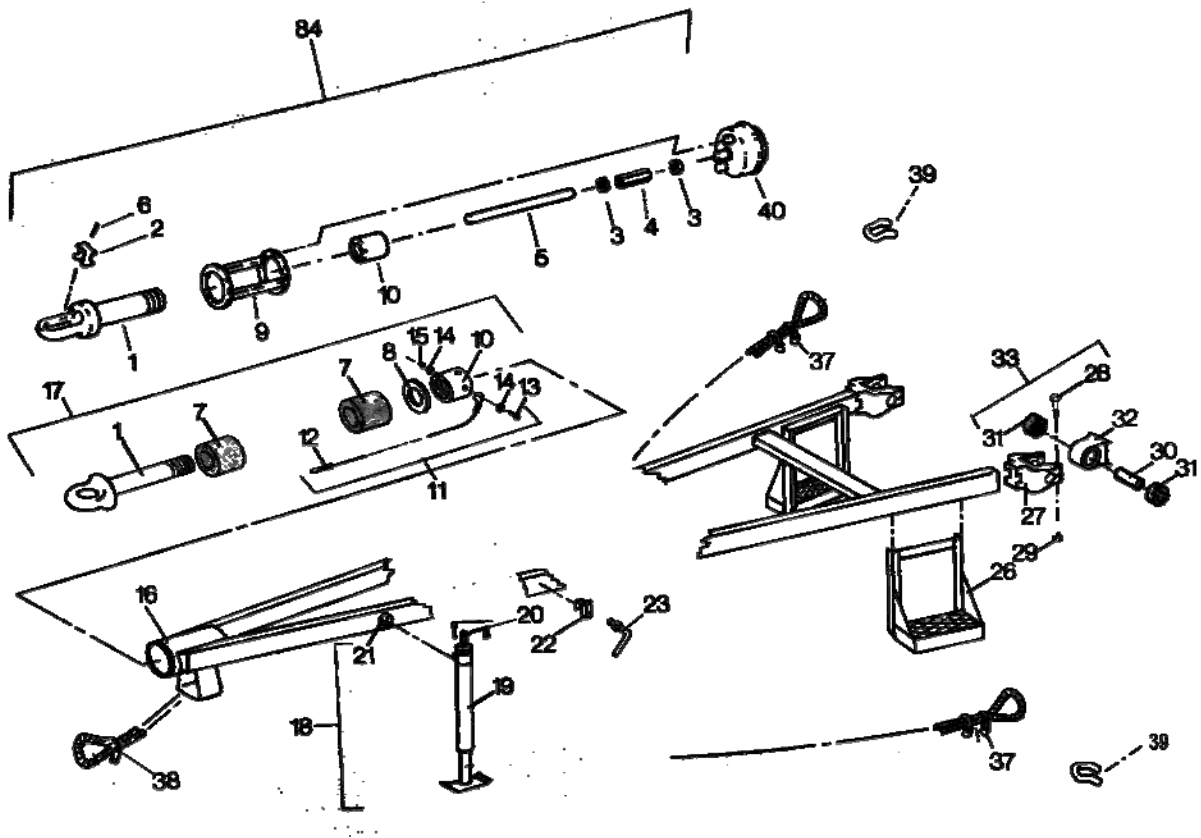
## Drawbar Components



**Silver Eagle** offers a complete line of products for those who wish to fabricate drawbars at their own facilities. Everything you require: drawbar eyes and shock housings; hinges; jacks and steps, are available.



# Drawbar Components



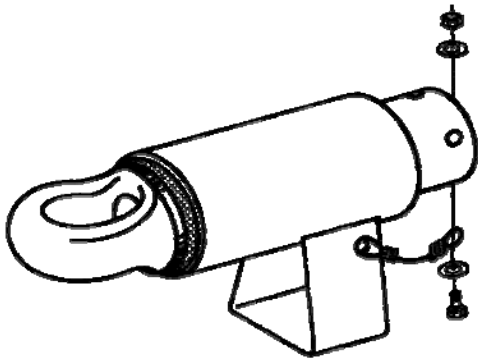
*Exploded Parts View*



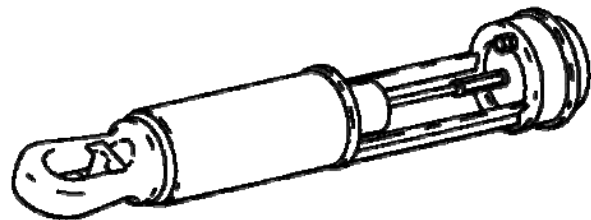
# Drawbar Components

## FIXED & ADJUSTABLE DRAWBAR COMPONENTS

Item	Part Nbr.	Description
NS	1497	EYE, DRAWBAR, HRND
1	1171	EYE & SHANK, 3/8", HRND
1	1448	EYE & SHANK, SOLID, HRND
2	15303	AIR JAM EYE, ROD & SHOE RETROFIT KIT
3	1851	NUT, 5/8-18 UNF, JAM, HX, GR 5, PLTD
4	3529	NUT, 5/8-18 UNF X 2-1/8, COUPLING, HX, PLTD
6	2705	PIN, ROLL, 1/4X1-1/4, PLTD
7	1157	BUSHING, SHOCK ABSORBER, RUBBER
7	12171	BUSHING, SHOCK ABSORBER, URETHANE
8	15660	WASHER, SHANK, HEX
9	14108	MOUNT WELDMENT, AIR CHAMBER, JAM EYE
10	15315	NUT, SHANK, HEX
10	3481	NUT, SHANK, W/CAP
11	2397	SAFETY WIRE/GROUND STRAP KIT, 5-1/4", W/FASTENERS
12	1226	SAFETY WIRE/GROUND STRAP, 5-1/4"
13	1178	CAPSCREW, 1/4-20 UNC X 1, HX, GR 5, PLTD
14	1564	WASHER, 1/4 X 1-1/4, BODY, PLTD
15	1401	NUT, 1/4-20 UNC, METAL LOCK, HX, GR C, PLTD
16	1653	SHOCK HOUSING, STD
16	1159	SHOCK HOUSING, HD
16	1419	SHOCK HOUSING, STD, W/GUIDE
16	1589	SHOCK HOUSING, HD, W/GUIDE



**SHOCK HOUSING ASSEMBLY**  
*Shown with optional cable guide*



**SHOCK HOUSING ASSEMBLY**  
**WITH AIR JAM EYE**

## Drawbar Components

Item Part Nbr. Description



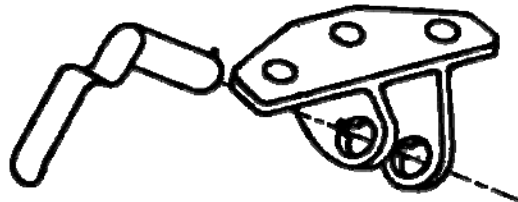
17	1256	SHOCK HSG ASSY, 3/8", SHANK, HRND
17	1190	SHOCK HSG ASSY, HD W/GUIDE, 3/8" SHANK, HRND
17	1668	SHOCK HSG ASSY, W/GUIDE, 3/8" SHANK, HRND
17	1689	SHOCK HSG ASSY, HD, 1/4" SHANK, HRND
17	1264	SHOCK HSG ASSY, HD, 3/8" SHANK, HRND
17	3719	SHOCK HSG ASSY, HD, W/GUIDE, 1/4" SHANK, JAM EYE, HRND
17	3720	SHOCK HSG ASSY, HD, W/GUIDE, 3/8" SHANK, JAM EYE, HRND
17	1578	SHOCK HSG ASSY, HD, W/GUIDE, SOLID SHANK, HRND
18	1165	JACK PKG, SIDE MOUNT, LONG, W/MNT & SUPPORT
18	1280	JACK PKG, SIDE MOUNT, STD, W/MNT & SUPPORT
19	3097	JACK CARTRIDGE ONLY, NO MOUNT
19	2338	JACK CARTRIDGE ONLY, TUBULAR MOUNT
20	3465	CRANK HANDLE KIT, JACK
21	3365	MOUNT, SIDE MOUNT JACK
22	3381	SUPPORT, SIDE MOUNT JACK, STD
23	3472	RETAINER BOLT, JACK SUPPORT
26	1108	STEP ASSY, DRAWBAR, 4 X 2 MTG, PAIR



**HINGE ASSEMBLY**  
4 X 2 RECTANGULAR TUBING

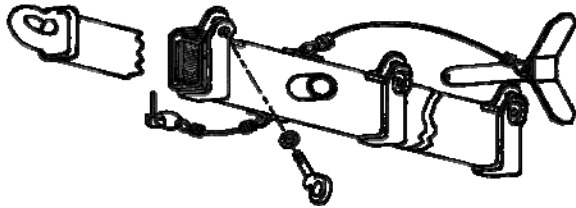
**HINGE ASSEMBLY**  
2-1/2" DIAMETER TUBE  
**Drawbar Components**

Item	Part Nbr.	Description
27	1588	HINGE, 2-1/2" TUBE, W/FASTENERS
27	1598	HINGE, 4 X 2 TUBE, W/FASTENERS
28	2621	CAPSCREW, 5/8-11, UNC X 3-1/2, HX, GR 5, PLTD
29	1164	NUT, 5/8-11 UNC, METAL LOCK, HX, GR C, PLTD
30	1355	PIN, HINGE
30	4172	PIN, HINGE, HD
31	1595	BUSHING, HINGE, RUBBER
31	12169	BUSHING, HINGE, URETHANE
32	1233	HINGE BRACKET
33	1206	HINGE ASSY, DWB, W/BRACKET, 2-1/2 TUBE
33	1182	HINGE ASSY, DWB, W/BRACKET, 4 X 2 TUBE
33	3375	HINGE ASSY, DWB, W/O BRACKET, 2-1/2 TUBE
33	3374	HINGE ASSY, DWB, W/O BRACKET, 4 X 2 TUBE
36	1490	THIMBLE, 5/8", WIRE ROPE, STD, CLOSED
36	1198	THIMBLE, 3/4", WIRE ROPE, STD, CLOSED
37	1616	CLIP, 5/8", WIRE ROPE, FORGED, GALVANIZED
37	1398	CLIP, 3/4", WIRE ROPE, FORGED, GALVANIZED
38	1252	CLIP, 5/8", WIRE ROPE, FIST GRIP, FORGED, GALVANIZED
38	1100	CLIP, 3/4", WIRE ROPE, FIST GRIP, FORGED, GALVANIZED
39	1351	ANCHOR, CABLE/CHAIN, 5/8" FOR 1/2" CHAIN OR 5/8" CABLE
39	1625	ANCHOR, CABLE/CHAIN, 3/4" FOR 5/8" CHAIN OR 3/4" CABLE
NS	11428	HOOK., EYE, 7-TON, ALLOY, W/SAFETY LATCH
NS	11393	SAFETY LATCH KIT, 7-TON HOOK

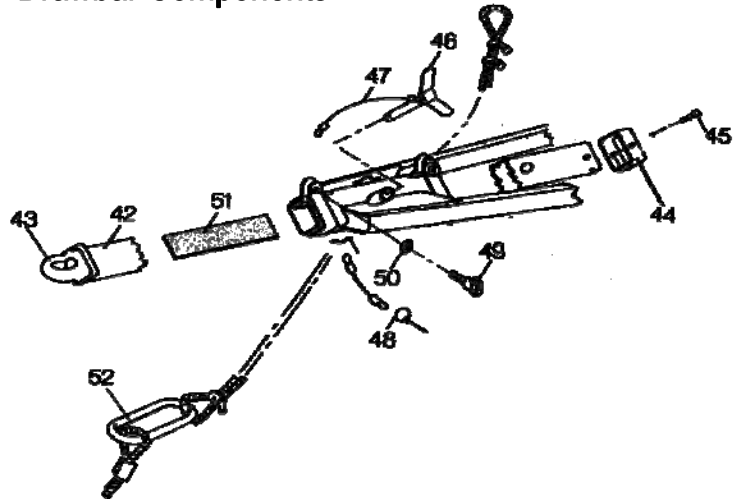


**SAFETY CABLE COUPLER**  
*Shown with optional bolt hole application*

NS	1196	SAFETY CABLE COUPLER KIT, BOLT-ON, W/PIN & HANDLE
NS	1258	SAFETY CABLE COUPLER KIT, WELD-ON, W/PIN & HANDLE
NS	1380	PIN & HANDLE ASSY, SAFETY COUPLER



## Drawbar Components



Item	Part Nbr.	Description
NS	3001	SLIDER HOUSING ASSY, 15"
NS	1615	SLIDER HOUSING ASSY, 30"
NS	3972	SLIDER HOUSING ASSY, 22"
NS	3550	SLIDER HOUSING ASSY, XHD, 30"
42	1346	SLIDER TUBE & EYE ASSY, SQ. MOUNT, STD, BASE
42	2375	SLIDER TUBE & EYE ASSY, STD, BASE, 4X4X1/4
42	3553	SLIDER TUBE, STD, HOUSING LENGTH + ADJUSTMENT, PRI
42	3551	SLIDER TUBE & EYE ASSY, HD, BASE, 4X4X5/16
42	3877	SLIDER TUBE, HD, HOUSING LENGTH + ADJUSTMENT, PRI
42	3552	SLIDER TUBE & EYE ASSY, XHD, BASE, 5X5X1/4
42	3554	SLIDER TUBE, XHD, HOUSING LENGTH + ADJUSTMENT, PRI
43	2809	EYE, SLIDING DRAWBAR, 45 DEG. MTG, HRND
44	2371	STOP, SLIDER TUBE, 4", STD/HD
44	3557	STOP, SLIDER TUBE, 5", XHD
46	1139	PIN & HANDLE, SLIDER HSG, STD/HD, W/SAFETY WIRE
46	3875	PIN & HANDLE, SLIDER HSG, XHD, W/SAFETY WIRE
NS	3555	INTERMEDIATE POSITION, SLIDER TUBE, STD/HD
NS	3876	INTERMEDIATE POSITION, SLIDER TUBE, XHD
47	4500	SAFETY WIRE, 16-3/4"
48	3764	LYNCH PIN, W/SAFETY WIRE
49	3549	EYE BOLT, SLIDER HSG
50	1172	WASHER, 5/8", FLAT, A325, HRND, PLTD
51	1474	LINER, KIT, 15", STD/HD, DELRIN, 4/PIECES
51	1485	LINER, KIT, 22", STD/HD, DELRIN, 4/PIECES



---

51	1262	LINER, KIT, 30", STD/HD, DELRIN, 4/PIECES
51	3556	LINER, KIT, 30", XHD, DELRIN, 4/PIECES
52	2019	MASTER LINK, 3/4", WELDLESS ALLOY
52	1421	MASTER LINK, 1", WELDLESS ALLOY